

ARKO WALL HUNG

CERAMIC TOILET SUITE



Wall hung toilet suite – Clean Flush

- Stylish minimalist design, sits flat against wall
- Clean Flush rimless pan design for an efficient, powerful flush
- White vitreous china
- Flat seat design
- Soft closing toilet seat, quick-release for easy removal and cleaning
- P trap

Wall hung pan – details:

- Stylish minimalist design, sits flat against wall
- Clean Flush rimless pan design for an efficient, powerful flush
- White vitreous china
- Easy-clean quick release seat with stainless steel pins, soft closing
- P trap

In-wall cistern – C200* in-wall cistern with frame – details:

- Hidden cistern activated through a premium pneumatic system connected to the flush plate buttons
- Fully insulated with anti-condensation foam to prevent moisture escape
- Easy to install and service through the flush plate
- WELS 4 star 4.5/3L water saving flush

ORDER CODE 191849 Arko WH suite
(includes pan, Flat seat and C200 slim in-wall cistern*)

191165 Arko WH pan
(includes pan and Flat seat)

Order flush buttons separately.

PAN Wall faced with rimless Clean Flush pan design.

MATERIAL White vitreous china.

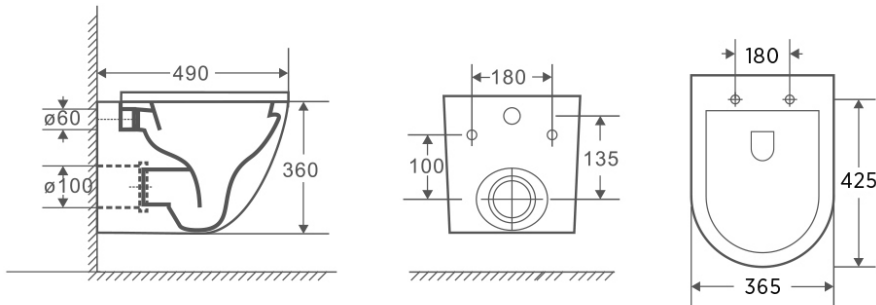
TRAPS Suitable for P trap installations.


SEAT Quick release seat with stainless steel hinges, soft closing.

WELS 4 star rating 4.5/3 litre water saving flush.

CISTERN Wall hung pan suits in-wall cistern with frame.

* Note: C201 undercounter in-wall cistern with frame is available on request.



 Rimless Clean Flush pan – for an efficient, powerful flush.

SEIMA

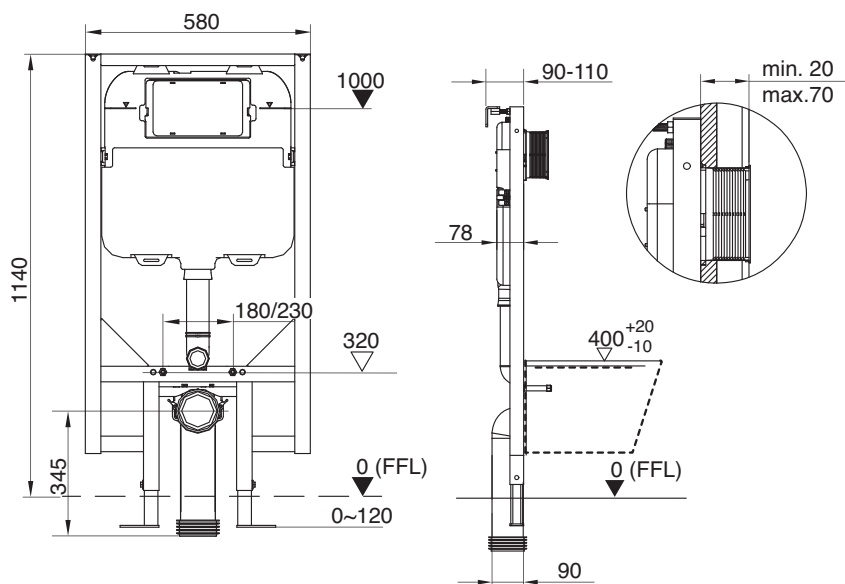
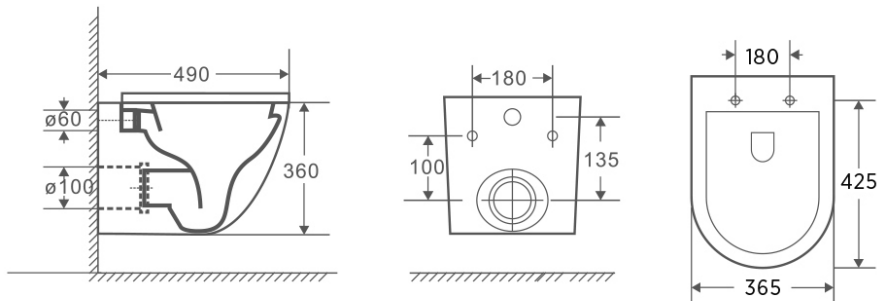
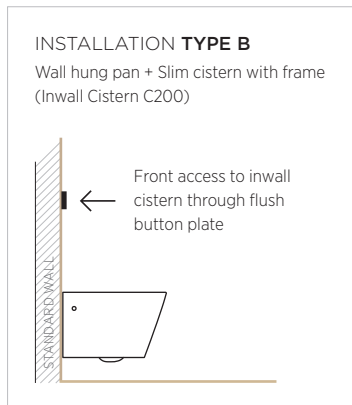
bathroom | kitchen | laundry

seima.com.au

Please note

- Installation shall be in accordance with AS/NZS3500.
- All measurements are in millimetres. Height dimensions are to base of pan. Make allowance for bedding.
- Bedding: Pan may be bedded with cement base or using silicone sealant.
Fix pan to floor using a sand cement mixture of 3:1 to a depth of 60mm. Do not use lime or fast-drying cement.
- Bracket fixing: The pan should be bedded with silicone sealant and fixed with the brackets supplied.
Do NOT use epoxy type adhesives.
- Dimensions are nominal and subject to normal ceramic manufacturing variations.
- Specifications may vary without notice as part of our continuous improvement practices.
- Clean with a damp cloth. Do not use abrasive cleaners, liquids or pastes.

ARKO WALL HUNG PAN + C200 IN-WALL SLIM CISTERN



SEIMA

bathroom | kitchen | laundry

seima.com.au

Please note

- Installation shall be in accordance with AS/NZS3500.
- All measurements are in millimetres. Height dimensions are to base of pan. Make allowance for bedding.
- Bedding: Pan may be bedded with cement base or using silicone sealant.
 Fix pan to floor using a sand cement mixture of 3:1 to a depth of 60mm. Do not use lime or fast-drying cement.
- Bracket fixing: The pan should be bedded with silicone sealant and fixed with the brackets supplied.
 Do NOT use epoxy type adhesives.
- Dimensions are nominal and subject to normal ceramic manufacturing variations.
- Specifications may vary without notice as part of our continuous improvement practices.
- Clean with a damp cloth. Do not use abrasive cleaners, liquids or pastes.

DS-Toilet-ModiaWH | page 2 of 2